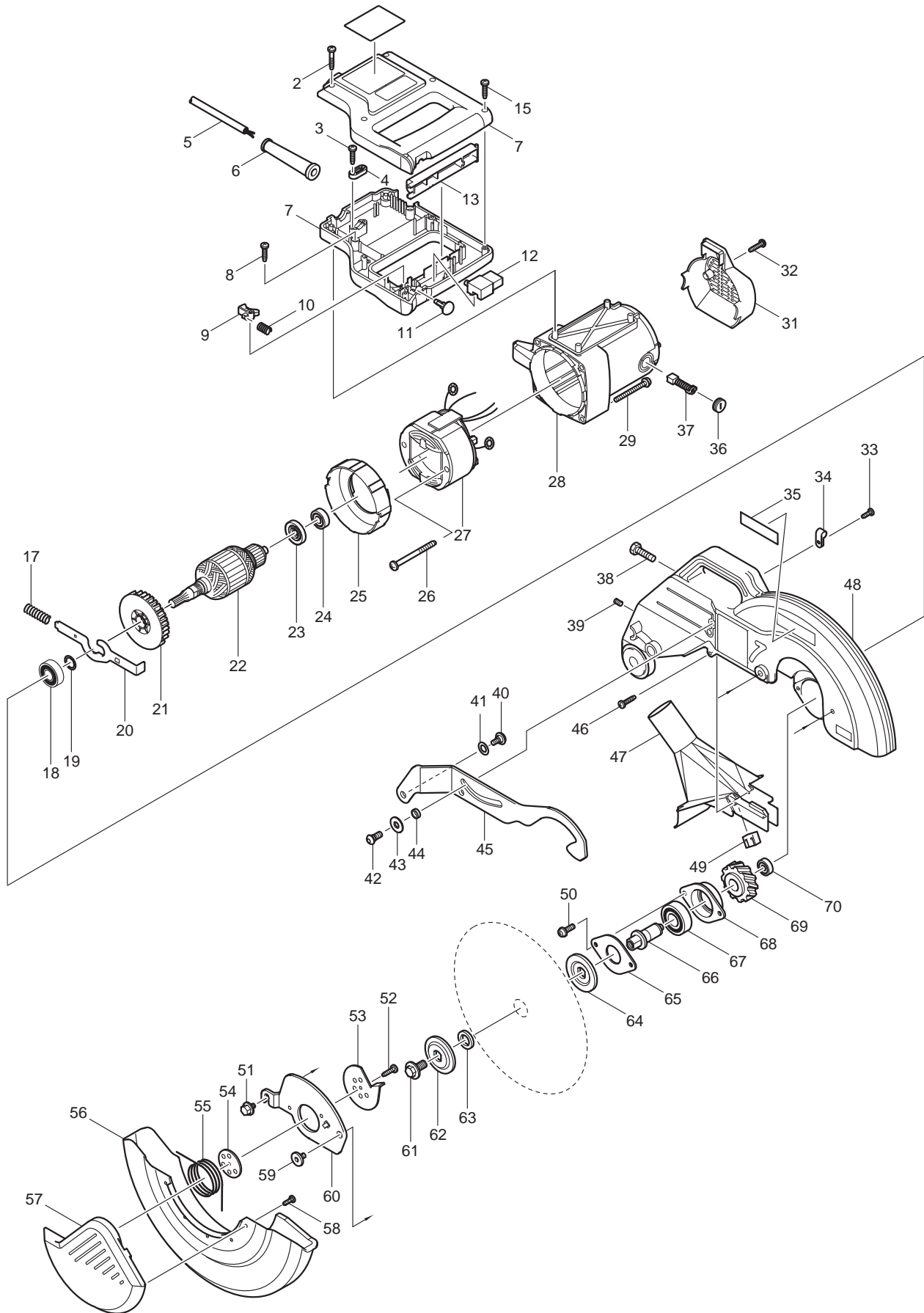


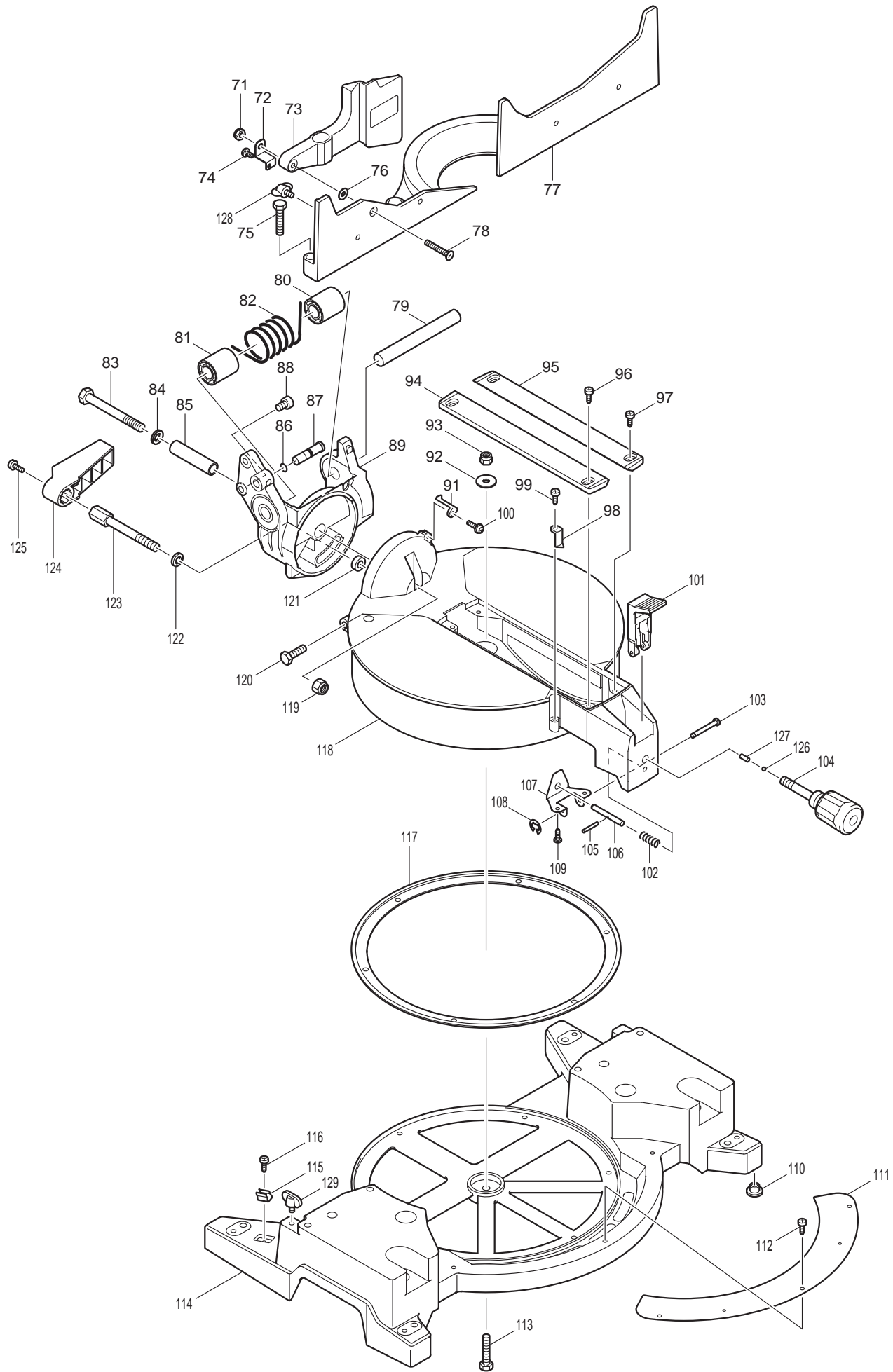


07 - 2009

LS1221

12" COMPOUND MITRE SAW





Item No	Type	Ref	Part No	Description	Qty	Unit
001			853489-9	NAME PLATE F/ LS1221	1	PC.
002			265999-8	TAPPING SCREW 4X25	2	PC.
003	2		265A48-7	TAPPING SCREW 4X18	2	PC.
004			687052-4	STRAIN RELIEF	1	PC.
005			664463-0	CORD W/PLUG 2P-14-2.5M, SJ	1	PC.
006			682505-8	CORD GUARD 10-90	1	PC.
007	1		182953-6	HANDLE SET	1	SET
		INC.	817881-3	CAUTION LABEL	1	PC.
	2		183L05-8	HANDLE SET	1	SET
		INC.	818L78-9	CAUTION LABEL	1	PC.
008	2		265A48-7	TAPPING SCREW 4X18	2	PC.
009			416356-5	LOCK-OFF LEVER	1	PC.
010			231026-3	COMPRESSION SPRING 4	1	PC.
011	2		451037-4	SWITCH BUTTON	1	PC.
012			651923-1	SWITCH TG70B	1	PC.
013	1		416357-3	SWITCH LEVER	1	PC.
	2		458790-3	SWITCH LEVER	1	PC.
015	2		265A48-7	TAPPING SCREW 4X18	2	PC.
017			231297-2	COMPRESSION SPRING 9	1	PC.
018			211206-7	BALL BEARING 6202LLB	1	PC.
019			253147-1	FLAT WASHER 15	1	PC.
020			343641-2	SHAFT LOCK	1	PC.
021			240003-4	FAN 80	1	PC.
022			510048-9	ARMATURE ASS'Y 115V	1	PC.
		INC.		Item No. 18, 19, 21, 23, 24	1	PC.
023			681640-9	INSULATION WASHER	1	PC.
024			211061-7	BALL BEARING 6000LLB	1	PC.
025			416361-2	BAFFLE PLATE	1	PC.
026	2		266329-6	TAPPING SCREW 4X18	2	PC.
027			596236-2	FIELD ASS'Y 115V	1	PC.
		INC.	654020-2	RING TERMINAL	2	PC.
		INC.	654553-7	CONNECTOR 34137 (OLD# 654020-2)	2	PC.
028	2		140H08-1	MOTOR HOUSING COMPLETE	1	PC.
		INC.	643536-2	BRUSH HOLDER 6.5-13.5	2	PC.
029			911383-2	PAN HEAD SCREW M6X60	4	PC.
031			417833-0	REAR COVER	1	PC.
032	2		265A48-7	TAPPING SCREW 4X18	2	PC.
033			266026-4	TAPPING SCREW BIND CT 4X12	1	PC.
034			687095-6	STRAIN RELIEF	1	PC.
035			819064-1	MAKITA MARK	1	PC.
036			643650-4	BRUSH HOLDER CAP 6.5-13.5	2	PC.
037	2		194986-9	CARBON BRUSH CB-154 2PC/SET W/ ORIGIN	1	SET
038	1		265371-4	* HEX. BOLT M8X30	1	PC.
	2		265681-9	* HEX. BOLT M8X30	1	PC.
039			251961-9	H.S.SET SCREW(FLAT POINT)M6X10	2	PC.
040	1		266179-9	* BINDING HEAD SCREW M6	1	PC.
	2		922331-6	* HSH BOLT M6X20	1	PC.
041	1		253758-2	* FLAT WASHER 10	1	PC.
	2		253804-1	* FLAT WASHER 6	1	PC.
042			265984-1	HEX.SOCKET BUTTON HEAD BOLT M6	1	PC.
043			253823-7	FLAT WASHER 7	1	PC.
044			257162-7	WASHER 7	1	PC.
045	2		347452-7	* LINK PLATE	1	PC.
046	2		265A48-7	TAPPING SCREW 4X18	2	PC.
047	1		416367-0	DUST NOZZLE	1	PC.
	2		458788-0	DUST NOZZLE	1	PC.

Item No	Type	Ref	Part No	Description	Qty	Unit
048	2		140E53-8	* BLADE CASE COMPLETE (TYPE1:SILVER, TYPE2:YELLOW GREY)	1	PC.
		INC.	817667-5	* CAUTION LABEL	1	PC.
		INC.	818L75-5	* CAUTION LABEL	1	PC.
049			421612-0	CUSHION	1	PC.
050			911223-4	PAN HEAD SCREW M5X16	2	PC.
051	2		265682-7	* HEX. SOCKET HEX BOLT M8X12	1	PC.
052			266034-5	TAPPING SCREW CT 4X16	1	PC.
053			344540-1	CENTER PLATE	1	PC.
054			344539-6	CENTER WASHER	1	PC.
055	2		233554-4	TORSION SPRING 45	1	PC.
056	1		417836-4	* SAFETY COVER B	1	PC.
	2		458789-8	* SAFETY COVER B	1	PC.
057			316940-5	SAFETY COVER A (TYPE1:SILVER, TYPE2:YELLOW)	1	PC.
058			266026-4	TAPPING SCREW BIND CT 4X12	3	PC.
059			265985-9	HEX.SOCKET HEAD BOLT M6	1	PC.
060			344541-9	CENTER COVER	1	PC.
061	2		266755-9	* HEX SOCKET HEAD BOLT M10X20	1	PC.
062			224333-1	FLANGE 53	1	PC.
063			257060-5	RING 15.8	1	PC.
064			224333-1	FLANGE 53	1	PC.
065			285828-9	BEARING RETAINER 66	1	PC.
066			322625-3	SPINDLE	1	PC.
067			211256-2	BALL BEARING 6203LLB	1	PC.
068			316473-0	BEARING BOX	1	PC.
069			226482-0	HELICAL GEAR 49	1	PC.
070			211031-6	BALL BEARING 608LLB	1	PC.
071			252014-7	HEX. LOCK NUT M6-10	1	PC.
072			344463-3	SUB FENCE PLATE (TYPE1:SILVER, TYPE2:YELLOW GREY)	1	PC.
073	1		150804-1	SUB FENCE COM. (TYPE1:SILVER, TYPE2:YELLOW GREY)	1	PC.
		INC.	810858-7	CAUTION LABEL	1	PC.
	2		140H00-7	SUB FENCE COMPLETE	1	PC.
		INC.	810858-7	CAUTION LABEL	1	PC.
074	2		911108-4	* PAN HEAD SCREW M4X8	1	PC.
075	2		922461-3	* HEX. SOCKET HEAD BOLT M8X40	4	PC.
076			253804-1	FLAT WASHER 6	1	PC.
077	2		317980-6	* GUIDE FENCE (YELLOW GREY)	1	PC.
	3		319760-6	* GUIDE FENCE (YELLOW GREY)	1	PC.
078			912357-6	COUNTERSUNK HEAD SCREW M6X35	1	PC.
079			323740-6	ROD 16	1	PC.
080			416358-1	SLEEVE 17	1	PC.
081			416358-1	SLEEVE 17	1	PC.
082			231635-8	TORSION SPRING 34	1	PC.
083			265456-6	HEX. BOLT M10X90	1	PC.
084			941251-5	FLAT WASHER 10	1	PC.
085			331524-8	PIN 16-65	1	PC.
086			213011-8	O RING 7	1	PC.
087			322988-7	STOPPER PIN	1	PC.
088			922412-6	HEX. SOCKET HEAD BOLT M8X12	1	PC.
089		INC.	150791-4	ARM COMPLETE (TYPE1: SILVER, TYPE2:YELLOW GREY)	1	PC.
			816772-5	BEVEL SCALE LABEL	1	PC.
091			416355-7	INDICATION PLATE	1	PC.
092			253852-0	FLAT WASHER 8	1	PC.

Item No	Type	Ref	Part No	Description	Qty	Unit
093			252105-4	HEX. LOCK NUT M8-13	1	PC.
094			416360-4	KERF BOARD	1	PC.
095			416360-4	KERF BOARD	1	PC.
096			266026-4	TAPPING SCREW BIND CT 4X12	2	PC.
097			266026-4	TAPPING SCREW BIND CT 4X12	2	PC.
098			416355-7	INDICATION PLATE	1	PC.
099			266026-4	TAPPING SCREW BIND CT 4X12	1	PC.
100			911118-1	PAN HEAD SCREW M4X12	1	PC.
101			416359-9	LOCK LEVER	1	PC.
102			231325-3	COMPRESSION SPRING 6	1	PC.
103			256626-8	PIN 4	1	PC.
104			271308-1	KNOB 40	1	PC.
105			256158-5	PIN 3	1	PC.
106			323741-4	LOCK PIN	1	PC.
107			344538-8	LOCK PLATE	1	PC.
108			961017-7	STOP RING E-3	1	PC.
109			266026-4	TAPPING SCREW BIND CT 4X12	2	PC.
110			286212-1	CAP 20	4	PC.
111			816773-3	MITER SCALE PLATE	1	PC.
112			266026-4	TAPPING SCREW BIND CT 4X12	3	PC.
113			921462-8	HEX. BOLT M8X40	1	PC.
114	2		140G98-8	BASE COMPLETE	1	PC.
		INC.	813L22-1	CAUTION LABEL	2	PC.
		INC.	817838-4	CAUTION LABEL	1	PC.
116			266026-4	TAPPING SCREW BIND CT 4X12 (No longer used)	1	PC.
117			416403-2	SLIDE PLATE	1	PC.
118	1		316943-9	TURN BASE (TYPE1:SILVER, TYPE2:YELLOW GREY)	1	PC.
	2		140J03-3	TUEN BASE COM.	1	PC.
		INC.	818L89-4	CAUTION LABEL	1	PC.
119			252130-5	HEX. LOCK NUT M10-17	1	PC.
120	1		265371-4	HEX. BOLT M8X30	2	PC.
	2		265681-9	HSH BOLT M80X30	2	PC.
121	2		262158-5	RUBBER RING 9	1	PC.
122			941251-5	FLAT WASHER 10	1	PC.
123			265457-4	HEX. BOLT M10	1	PC.
124			416006-2	LEVER 100	1	PC.
125			911118-1	PAN HEAD SCREW M4X12	1	PC.
126			216001-0	STEEL BALL 3.5	1	PC.
127			256226-4	PIN 4	1	PC.
128			251887-5	SCREW M6X10	1	PC.
129			251887-5	SCREW M6X10	2	PC.
130			257163-5	* RING 6 (Added)	1	PC.
200			316938-2	WISE ARM	1	PC.
201			251887-5	SCREW M6X10	1	PC.
202			322983-7	WISE ROD	1	PC.
203			271303-1	KNOB 40	1	PC.
204			253804-1	FLAT WASHER 6	1	PC.
205			343651-9	WISE PLATE	1	PC.
206			251370-2	+ PAN HEAD SCREW I5	1	PC.
207			271297-0	KNOB 45	1	PC.
208			344099-8	GUARD PLATE	1	PC.
209			251887-5	SCREW M6X10	2	PC.
210			265889-5	ADJUST BOLT	2	PC.
211			251887-5	SCREW M6X10	2	PC.
212			251887-5	SCREW M6X10	1	PC.
213			253744-3	FLAT WASHER 12	1	PC.

Item No	Type	Ref	Part No	Description	Qty	Unit
214			253047-5	FLAT WASHER 6	1	PC.
215			911317-5	P.H.SCREW M6X14	1	PC.
216			286236-7	CAP 16	2	PC.
217			322209-7	WISE NUT	1	PC.
C01			845145-5	CARTON F/LS1221	1	PC.
ACCESSORIES			- See catalogue or visit www.makita.ca for more accessories -			
A01			762001-3	TRIANGULAR RULE	1	PC.
A02	2		781044-6	* HEX. WRENCH 6	1	PC.
A03	2		122852-0	DUST BAG ASS'Y	1	PC.
		INC.	410602-8	FASTENER	2	PC.
A05			323726-0	HOLDER 160	2	PC.
	Opt.		192673-4	HOLDER 160 SET	1	PC.
		INC.		Item No. A05, 140	1	PC.
A06			122540-9	VERTICAL VISE ASS'Y	1	PC.
		INC.		Item No. 200 - 206	1	PC.
A07			A-85472	12" C.T.SAW BLADE 60T (1" ARBOUR)	1	PC.
A08			416368-8	ELBOW (OLD)	1	PC.
A09			122551-4	SET PLACE ASSY	1	PC.
		INC.		Item No. 212	1	PC.
A10			256812-1	ROD 12	1	PC.
A11			122470-4	HORIZONTAL VISE ASS'Y	1	PC.
		INC.		Item No. 207 - 208, 213 - 219	1	PC.
A12			192669-5	CROWN MOLDING STOPPER SET	1	PC.
A14			192671-8	EXTENSION ROD HOLDER	1	PC.
		INC.		Item No. 210 - 211	2	PC.
A15			410047-0	* WRENCH HOLDER 5.6	1	PC.
A16	1		194061-1	BENCHTOP MITER SAW STAND B (Parts Breakdown Available)	1	PC.
	2		198688-9	BENCHTOP MITER SAW STAND B	1	PC.
A17			WST05	MITRE SAW STAND SET (Partsbreakdown available)	1	PC.
A18			WST06	MITRE SAW STAND SET (Partsbreakdown available)	1	PC.
A19	1		194943-7	SLIDE MITRE SAW STAND C (Partsbreakdown available)	1	PC.
	2		198687-1	SLIDE MITRE SAW STAND C WST01	1	SET

SERVICE CHANGES

1. Change on Guide Fence, etc.

(T/I#73073)

(T/I#C4597)

Item No.	Description	Type 1	Type 2	Type 3
074	Screw 4X8	266061-2 Tapping, Bind, CT		911108-4 Pan Head
077	Guide Fence	316945-5 (N/L/A)	317980-6 (w/ threaded hole)	319760-6

Above parts are interchangeable as a set.

2. Change on Wrench, Addition of Wrench Holder

(T/I#C4597)

Item No.	Description	Type 1	Type 2
A02	Socket Wrench > HEX Wrench	782212-4	781044-6
A15	Wrench Holder	---	410047-0
038	Bolt M8X30	265371-4	265681-9
051	Bolt M8X12	265324-3	265682-7
061	Bolt M10X20	265405-3	266755-9
075	Bot M8X40	921461-0	922461-3

Above parts are interchangeable as a set.

3. Change on Blade Case, Link Plate, Safety Cover B

(T/I#C4597)

Item No.	Description	Type 1	Type 2
045	Link Plate	344542-7	347452-7
048	Blade Case Complete	150802-5	140E53-8
056	Safety Cover B	417836-4	458789-8

To change Item No. 45, change with Item No. 48 and 56 (interchangeable as a set.)

To change Item No. 48, change with Item No. 56 (Interchangeable as a set.)

Item No. 56 is interchangeable itself.

4. Change on BH Screw, Flat Washer, Ring 6

(T/I#D1440)

Item No.	Description	Type 1	Type 2
040	Binding Head Screw M6 (Type 1) HSH Bolt M6X20 (Type 2)	266179-9	922331-6
041	Flat Washer 10 (Type 1) Flat Washer 6 (Type 2)	253758-2	253804-1
130	Ring 6	-----	257163-5

Above parts are interchangeable as a set.